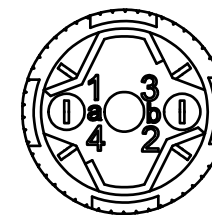
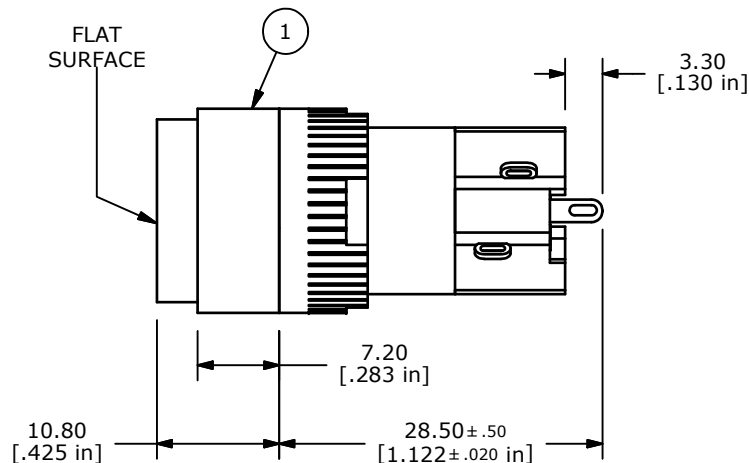
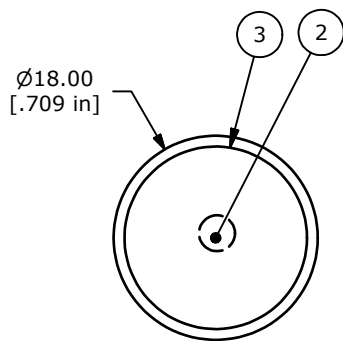
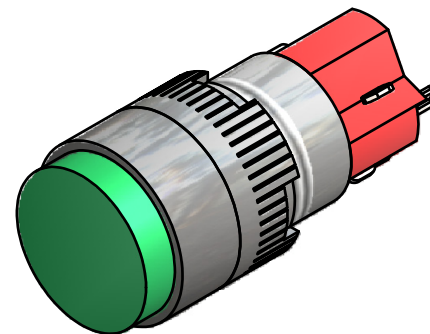
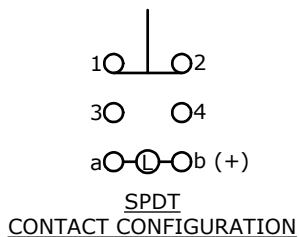


PANEL MOUNTING



NOTE:

1. ALL DIMENSIONS IN MM [INCH].
2. GENERAL TOLERANCE: X.X=±0.4
X.XX=±0.25
3. TERMINAL NUMBERS FOR REF ONLY.
- ▲ 4. CONTACT RATING: 5A @ 250VAC,
8A @ 125VAC,
6A @ 24VDC
5. ELECTRICAL LIFE: 50,000 OPERATIONS
6. INSULATION RESISTANCE: 1,000 MEGA-OHM MIN.
7. CONTACT MATERIAL: SILVER PLATED COPPER ALLOY
- ▲ 8. ACTUATION FORCE: 300g / POLE
9. OPERATING TEMP.: -25°C to +55°C
10. ▲ DENOTES CRITICAL PARAMETER.
11. 2002/95/EC (ROHS) COMPLIANT

PARTS LIST			
ITEM	QTY	PART NUMBER	DESCRIPTION
1	1	F040006	D16EER11
2	1	F050422	50-004-22 24 VDC GREEN LED
3	1	F050112	50-001-12 ROUND (FLAT) LENS GREEN



REV	PCR NO	DESCRIPTION	DATE	BY
B	19790	DRAWING CLEAN UP / UPDATE	3/24/11	BGL
A	17937	RELEASED FOR PRODUCTION	1/28/08	BLR

TITLE D16EER11KGRNGRN				
SCALE	DATE	DR	DWG	REV
2:1	1/28/2008	BLR	XF0405P	B

THE INFORMATION CONTAINED IN THIS DOCUMENT IS PROPRIETARY TO E-SWITCH AND IS NOT TO BE COPIED OR TRANSFERRED